

Attn: **Corey Crowder**

Remit To: **Sarah Nottingham**

Customer: Architectural Specialties	Quote #: 278393.3
Job Name: City of Sturgis Pool showers	Job Location: Beulah, WY 82712 US

IMPORTANT:
The following drawings represent the layouts for the referenced project. Please review each layout carefully and compare to actual requirements to avoid error. Quotation is based on each exact layout; changes to the layouts or ship to location will impact quoted price.

Upon receipt of approval to release for fabrication, please ensure all information has been verified and the quotation has been updated to reflect the approved drawings.

ORDER CHECKLIST

- ___ Purchase order price matches the quotation price
- ___ Ship to information
- ___ Dimensions (note: all measurements are wall to wall after all new finishes)
- ___ Quantities

# Compartments	# Urinal Screens	# Sight Screens
7	0	0

___ Hardware type and material

___ Color:

Powder Coated or Bradmar:

SPECIFY

Color # BSMU

Phenolic or Laminate:

SPECIFY

Manufacturer _____

Color # _____

Color Description _____

Please sign below (or sign each layout drawing) to authorize fabrication of the materials represented in the layouts and include (1) copy of the APPROVED shop drawings with your purchase order.

APPROVED: _____ DATE: _____

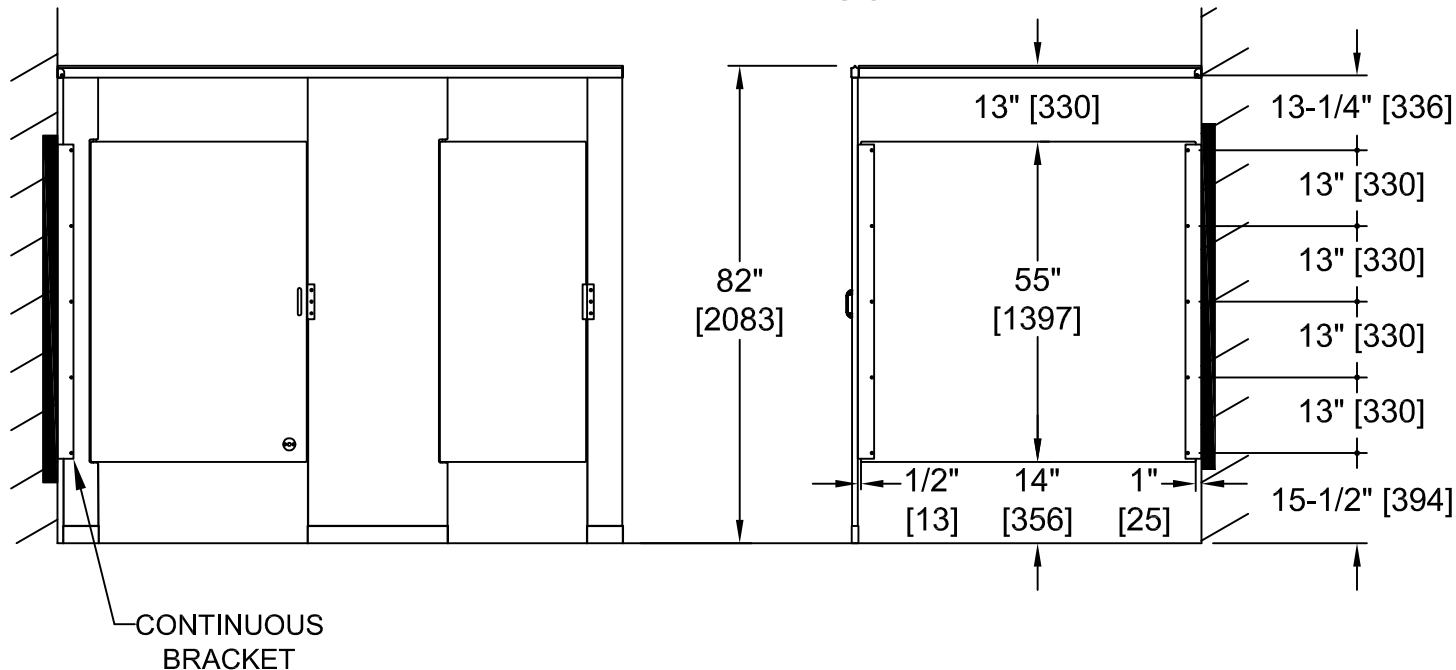
APPROVED AS NOTED: _____ DATE: _____

Quotation will be updated and resubmitted for approval

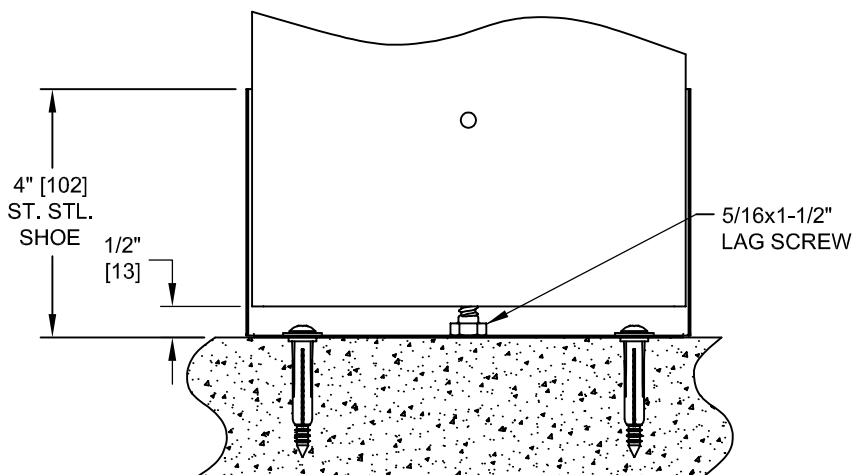
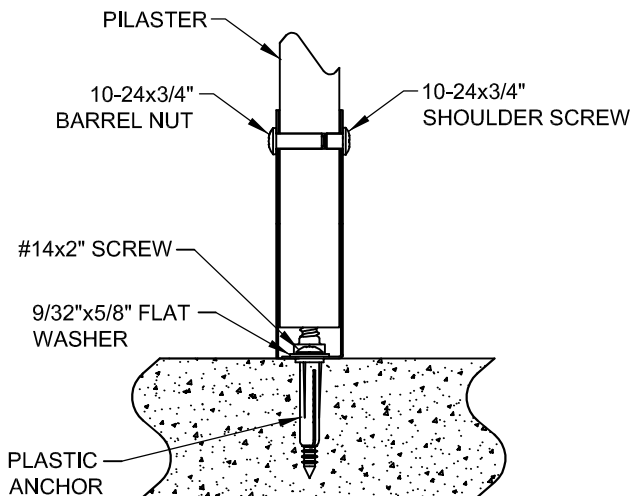
REJECTED, RESUBMIT: _____ DATE: _____

NOTE: (1) BLOCKING BY OTHERS AT BRACKET LOCATIONS SHOWN, OR FULL LENGTH FOR CONTINUOUS BRACKETS. BLOCKING IS CRITICAL TO ENSURE A RIGID INSTALLATION. (RECOMMENDED MINIMUM REQUIREMENTS: 2x6 WOOD BLOCKING). (2) THESE ELEVATIONS ARE GENERAL VIEWS MEANT TO SHOW COMPONENT SIZES AND COMPONENT/HARDWARE MOUNTING HEIGHTS.

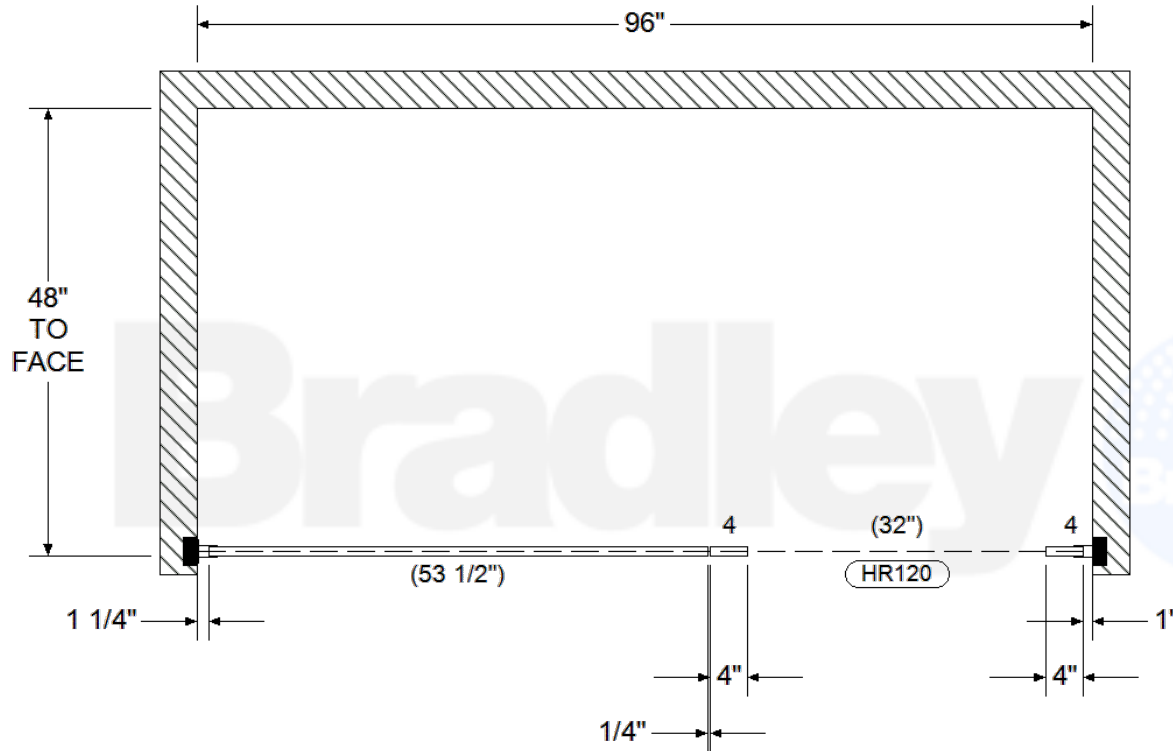
HEADRAIL OVER END PANELS ONLY



PROVISIONS MUST BE MADE IN THE CONSTRUCTION OF THE BUILDING, (WALLS, FLOOR & CEILING) TO PROVIDE SUFFICIENT SUPPORT FOR TOILET PARTITIONS, INCLUDING IMPACT OF DOORS AGAINST PILASTERS.



■ = BLOCKING REQUIRED



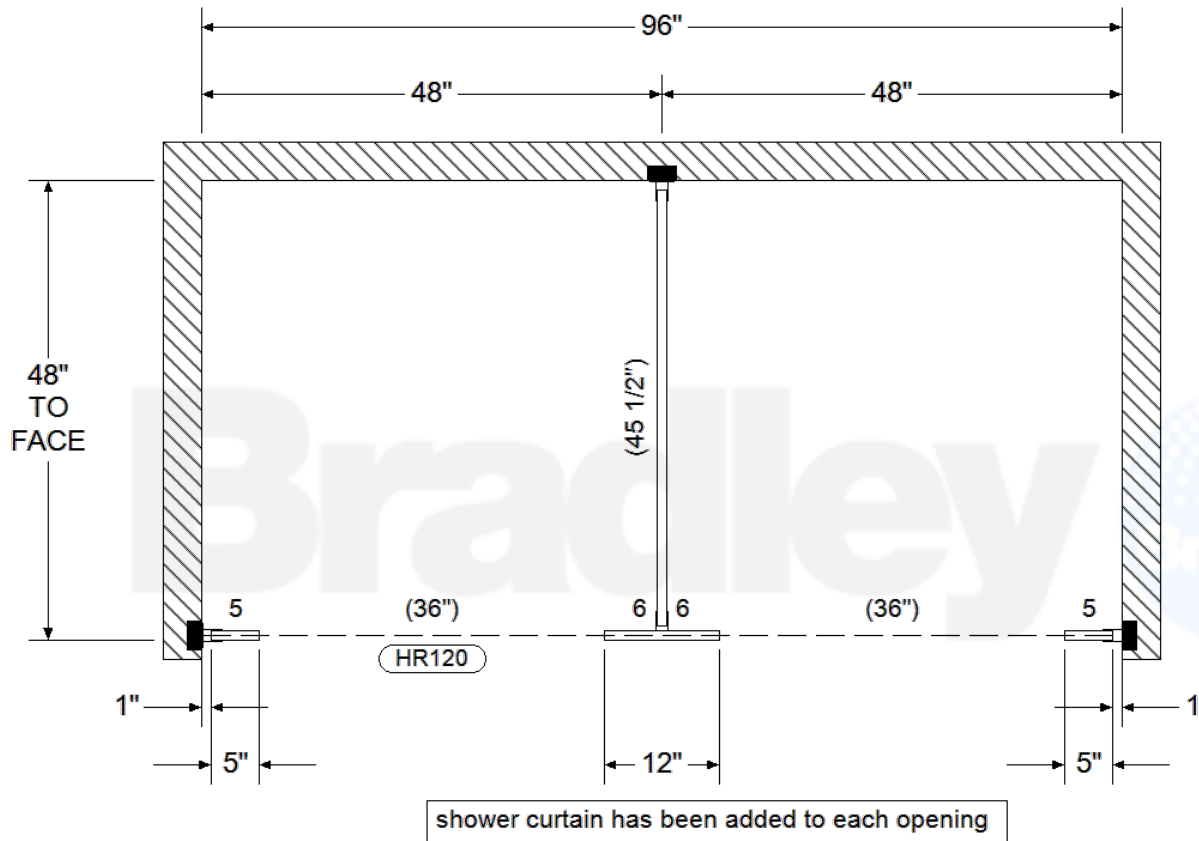
shower curtain has been added to the opening

NOTE: FIELD VERIFY ALL DIMENSIONS PRIOR TO FINAL APPROVAL.
 VERIFY STALLS MEET LOCAL ADA CODES AND GUIDELINES.
 LOCATION OF DOOR HINGE/SWING WILL NOT AFFECT YOUR QUOTED PRICE.
 LAYOUTS WILL BE UPDATED AT TIME OF ORDER BASED ON FINAL APPROVALS.

TYPE: F.M.O.B. SENTINEL		MATERIAL: BRADMAR		JOB NAME: City of Sturgis Pool showers	
1	THUS PLAN: A	RM #: mens shower ADA		QUOTE NO.: 278393.3	
COLOR NAME: UNKNOWN Bradmar Color		COLOR: BSMU	BASE: ST. STL.	CUST. NAME: Architectural Specialties	
LATCH: SS SURFACE		BRACKET: CONT SS	HINGE: INTEGRAL	CUST. NO.: 517990	
FSTNR: TORX		FSTNR: TORX	FSTNR: TORX	DATE: 5/24/2021	DRAWN BY: Sarah Nottingham
			DIMENSIONS SHOWN ARE TO FINISH WALLS, FLOORS, AND CEILING. DO NOT SCALE DRAWING IF FAXED		SCALE: NTS
					SHEET: 3 of 5

Note: All products are manufactured in US dimensions

■ = BLOCKING REQUIRED

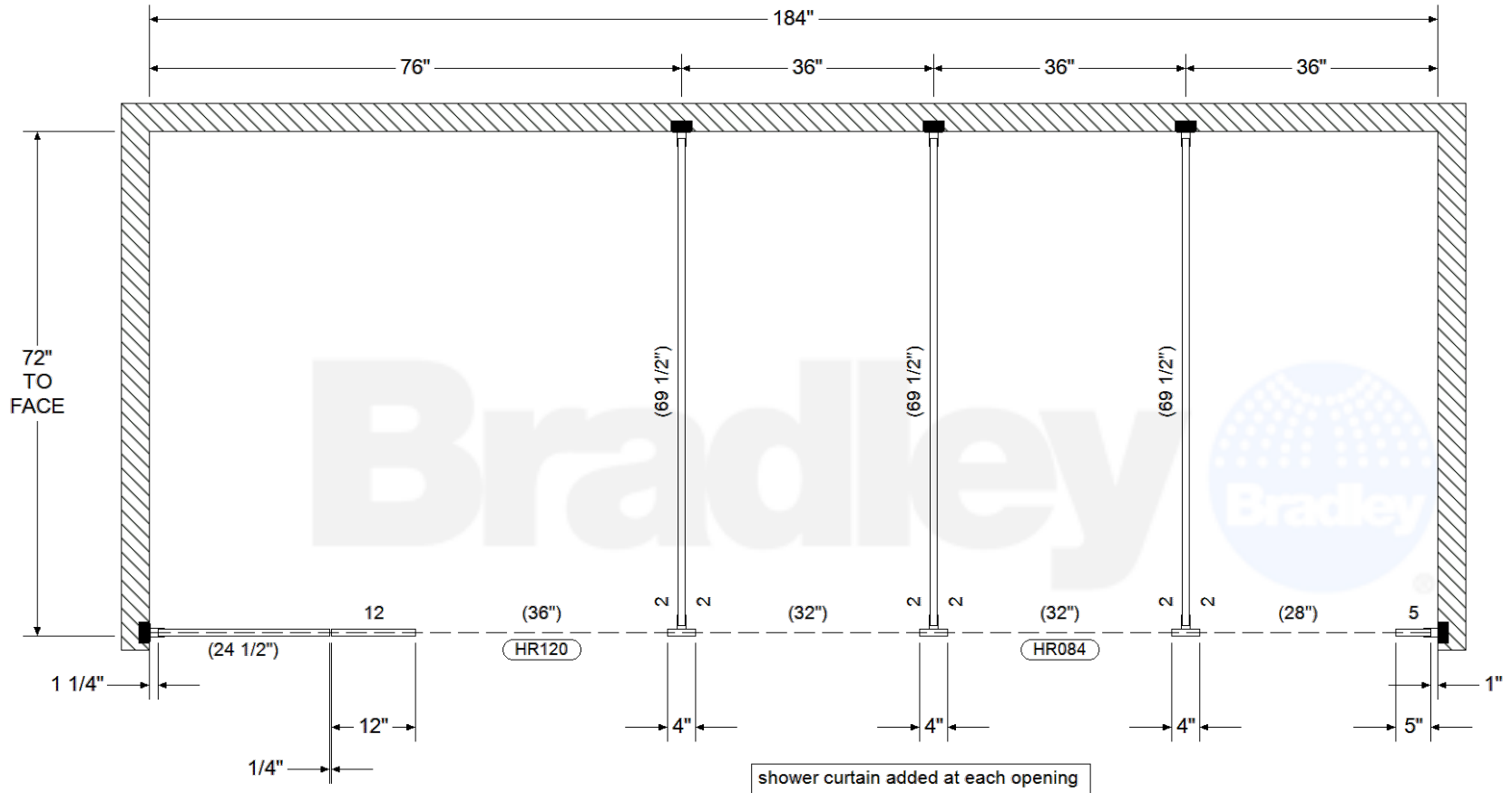


NOTE: FIELD VERIFY ALL DIMENSIONS PRIOR TO FINAL APPROVAL.
 VERIFY STALLS MEET LOCAL ADA CODES AND GUIDELINES.
 LOCATION OF DOOR HINGE/SWING WILL NOT AFFECT YOUR QUOTED PRICE.
 LAYOUTS WILL BE UPDATED AT TIME OF ORDER BASED ON FINAL APPROVALS.

TYPE: F.M.O.B. SENTINEL		MATERIAL: BRADMAR		JOB NAME: City of Sturgis Pool showers	
1	THUS PLAN: B	RM #: mens showers		QUOTE NO.: 278393.3	
COLOR NAME: UNKNOWN Bradmar Color		COLOR: BSMU	BASE: ST. STL.	CUST. NAME: Architectural Specialties	
LATCH: SS SURFACE		BRACKET: CONT SS	HINGE: INTEGRAL	CUST. NO.: 517990	
FSTNR: TORX		FSTNR: TORX	FSTNR: TORX	DATE: 5/24/2021	DRAWN BY: Sarah Nottingham
			DIMENSIONS SHOWN ARE TO FINISH WALLS, FLOORS, AND CEILING. DO NOT SCALE DRAWING IF FAXED		SCALE: NTS
					SHEET: 4 of 5

Note: All products are manufactured in US dimensions

■ = BLOCKING REQUIRED



NOTE: FIELD VERIFY ALL DIMENSIONS PRIOR TO FINAL APPROVAL.
 VERIFY STALLS MEET LOCAL ADA CODES AND GUIDELINES.
 LOCATION OF DOOR HINGE/SWING WILL NOT AFFECT YOUR QUOTED PRICE.
 LAYOUTS WILL BE UPDATED AT TIME OF ORDER BASED ON FINAL APPROVALS.

TYPE: F.M.O.B. SENTINEL		MATERIAL: BRADMAR		JOB NAME: City of Sturgis Pool showers	
1	THUS PLAN: C	RM #: womens showers		QUOTE NO.: 278393.3	
COLOR NAME: UNKNOWN Bradmar Color		COLOR: BSMU	BASE: ST. STL.	CUST. NAME: Architectural Specialties	
LATCH: SS SURFACE		BRACKET: CONT SS	HINGE: INTEGRAL	CUST. NO.: 517990	
FSTNR: TORX		FSTNR: TORX	FSTNR: TORX	DATE: 5/24/2021	DRAWN BY: Sarah Nottingham
			DIMENSIONS SHOWN ARE TO FINISH WALLS, FLOORS, AND CEILING. DO NOT SCALE DRAWING IF FAXED		SCALE: NTS
					SHEET: 5 of 5

Note: All products are manufactured in US dimensions